



## PROFESSIONAL DEEP CYCLE AGM

### Key benefits

- Ideal for high-performance electric boats, yachts, motorhomes
- AGM technology for high rate discharge performance, plus superb shock and vibration resistance
- Exceptionally long lasting – up to eight times the cyclic stability of conventional batteries
- Tough, leak proof construction
- Ideal for all your starter and supply requirements

For more information visit [www.varta-automotive.com](http://www.varta-automotive.com)

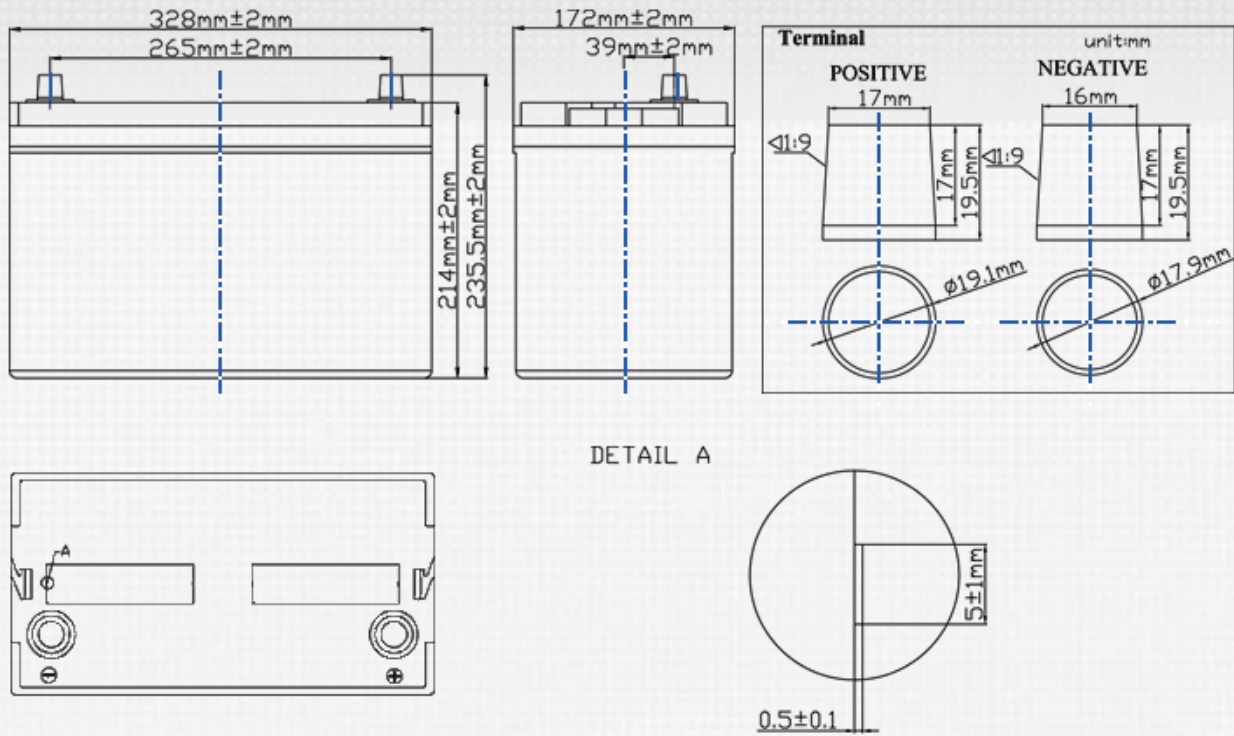
### ORDER INFORMATION

European Type No. (ETN):	830 115 060
Article Number:	830 115 060 B92 2
Short Code:	LAD 115
Barcode:	4016987141205
Packaging Unit:	1
Quantity per Pallet:	24

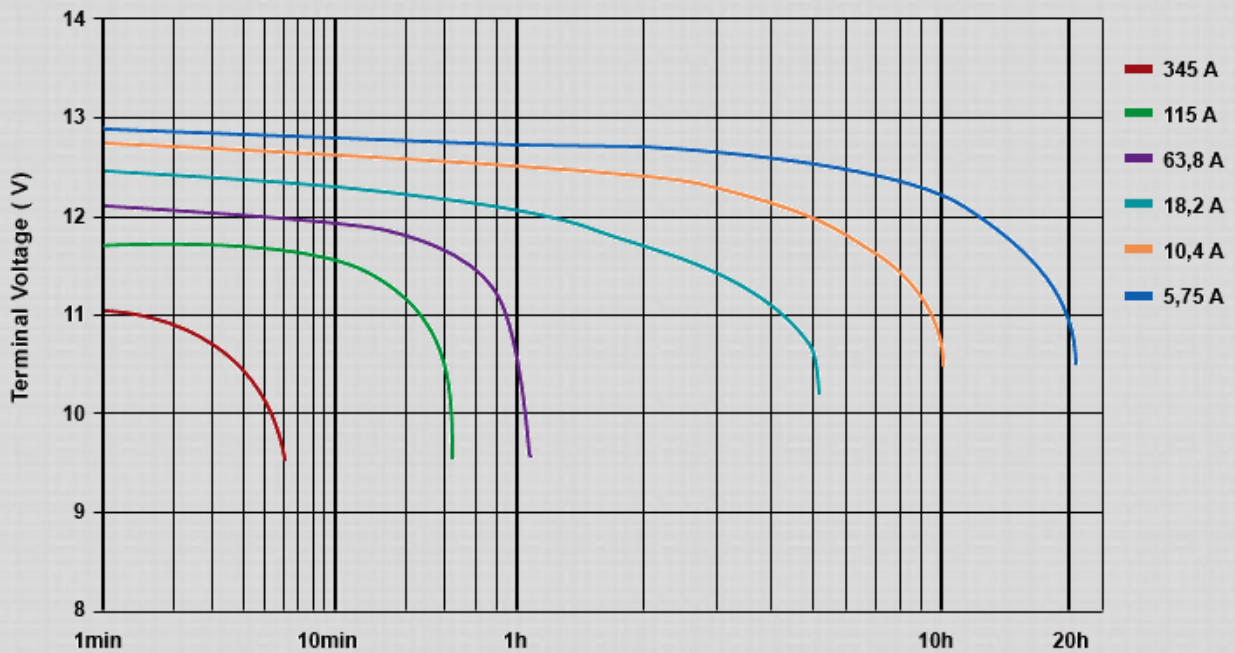
### TECHNICAL INFORMATION

Voltage [V]:	12	Width [mm]:	172
Battery Capacity [Ah]:	115	Height [mm]:	233,5
Battery Capacity 5h [Ah]:	91	Base Hold-down:	B00
Cold Cranking Amps (CCA), EN [A]:	550	Layout:	0
Cold Cranking Amps (SAE) @ -18°C:	600	Terminal Types:	1
Marine Cranking Amps (SAE) @ 0°C:	710	Weight filled (kg):	32,8
Length [mm]:	328		

## DRAWINGS



## Discharge Curves



Individual results may vary